

HIGH TORQUE EC FAN MOTOR

An easy to install direct drive fan motor. Small, low maintenance and low energy consumption.



Increase the overall performance and quality of your systems with the direct drive motor technology of Magnetic Innovations.

Are you having problems with?

- Poor motor life, high maintenance cost
- Accelerated wear on motor bearings due to electrostatic discharge
- Broken gearboxes or belts
- Failures in the on-board power electronics
- Bulky motors sitting on top of your fan or blocking your airflow
- Inefficiency of your asynchronous (ac) motors
- High assembly cost due to heavy motors

If so, you are looking for our EC Fan motor!

The EC Fan motor by Magnetic Innovations is a magnet motor with high efficiency and a extended motor life cycle. Take the next step into the future to ensure your customers get the most out of their fans. Our EC motor has:

- Low maintenance cost
- A low carbon footprint
- Easy and cost effective installation
- A fair price
- A compact design

Features EC Fan Motor

- Reduced size (only Ø261mm x 150mm)
- Extended life due to robust mechanical design
- Integrated precautions against electrostatic discharge in the bearingsystem
- Maintenance free (no moving parts)
- Easy mounting-interface for fan
- Integrated temperature sensor for active monitoring & control
- High power, 4KW
- Horizontal and vertical mounting capability
- Protection class IP65
- Meets IE5 energy Efficiency class (IEC60034-30-2).
- Compatible with industry standard Sensorless 3-phase motor drives
- Applications in Agriculture, HVAC and HVLS systems
- Low carbon footprint

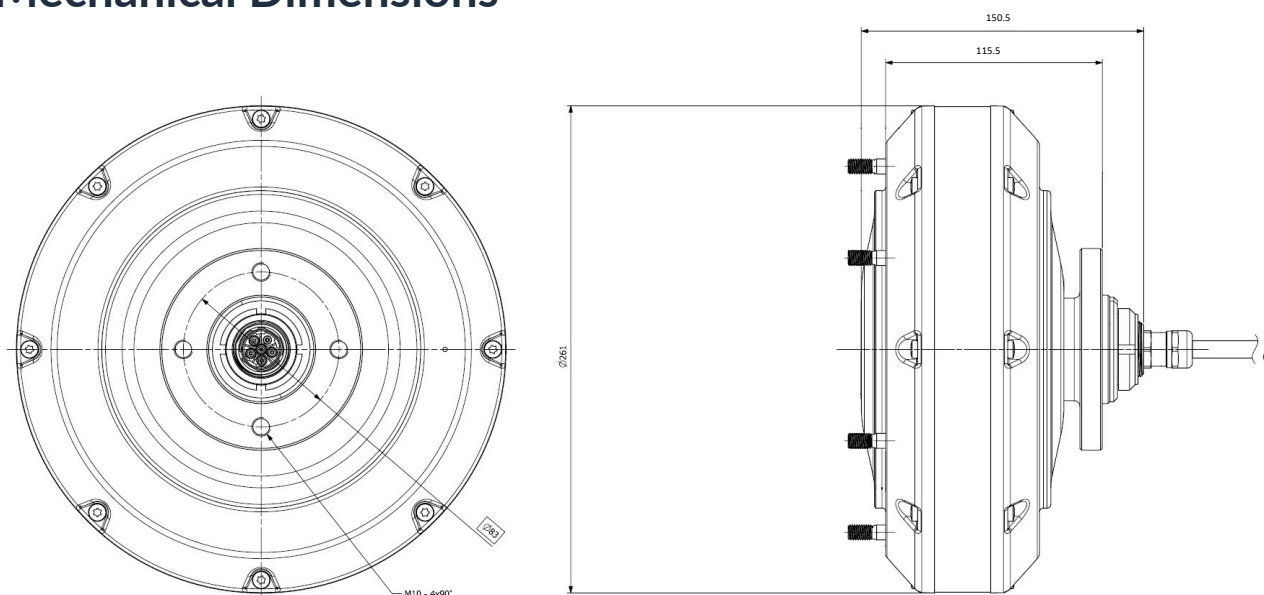
Nominal motor performance*

Parameter	Unit	Value	Remark
P _{mech}	W	4021	32Nm @ 1200rpm
Torque Constant	Nm/A _{rms}	4,94	At low current
Back_EMF constant	V _{rms} /rpm	0,299	Line-to-line
Resistance	Ohm	1,0	Line-to-line
Inductance	mH	12,6	Line-to-line
Max. DC-bus voltage	V _{DC}	600	
Max. Current	A _{rms}	9	
Thermal Class	°C	180(H)	
Operating temperature range	°C	-15 to +40	
Max. speed	rpm	1200	
Total mass	Kg	15,2	
Rotor Inertia	Kg.m ²	6,60E-02	
Balance requirement		G6.3	ISO1940**

* Values applicable at 21°C

** To be balanced by customer after fan installation

Mechanical Dimensions



GO DIRECT DRIVE!

Choose a maintenance free and
energy efficient design.



This information is confidential. All rights are reserved, reproduction in whole or in part is prohibited without written consent from Magnetic Innovations B.V.

For more detailed information please contact us via
info@magneticinnovations.com